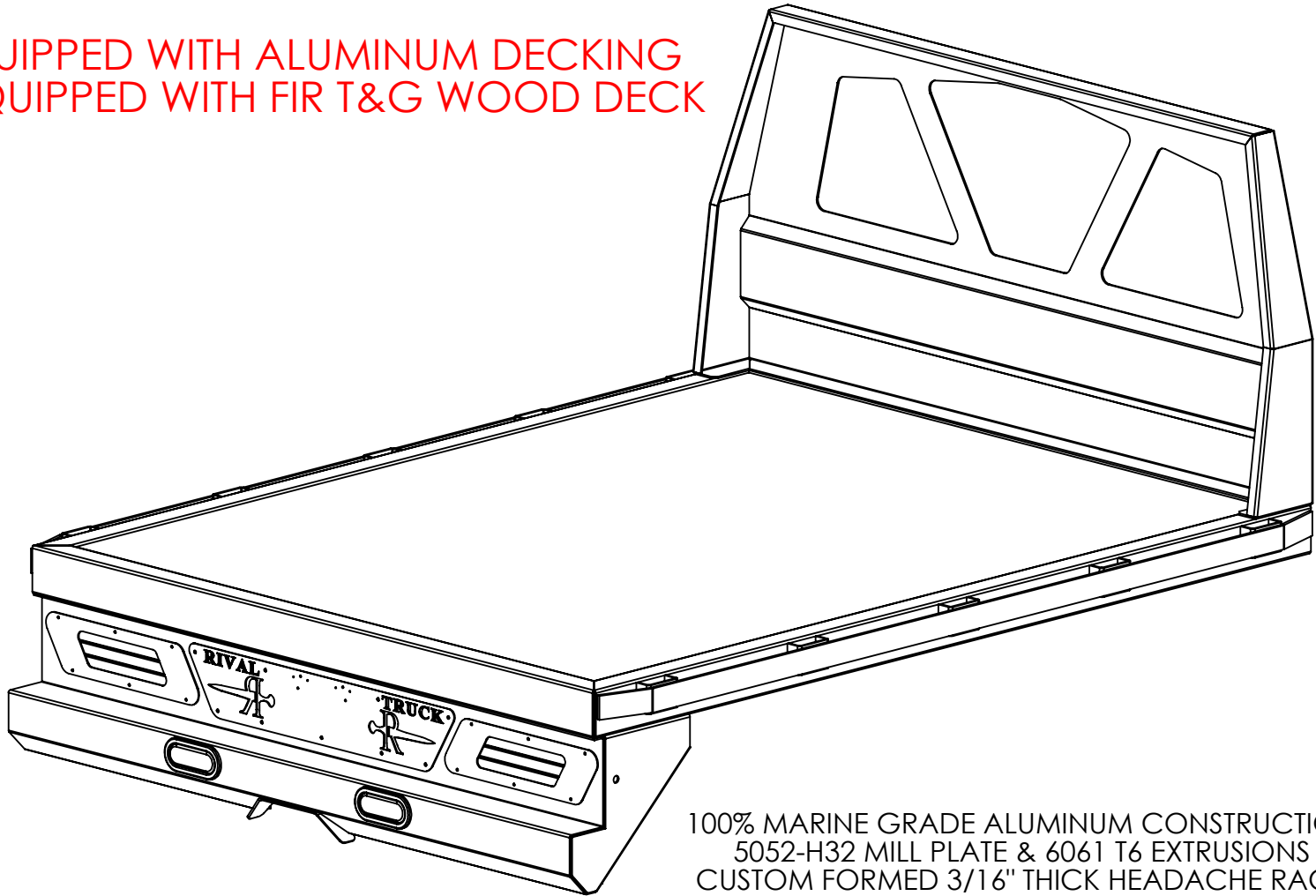


**RAIDER EQUIPPED WITH ALUMINUM DECKING  
 CORSAIR EQUIPPED WITH FIR T&G WOOD DECK**



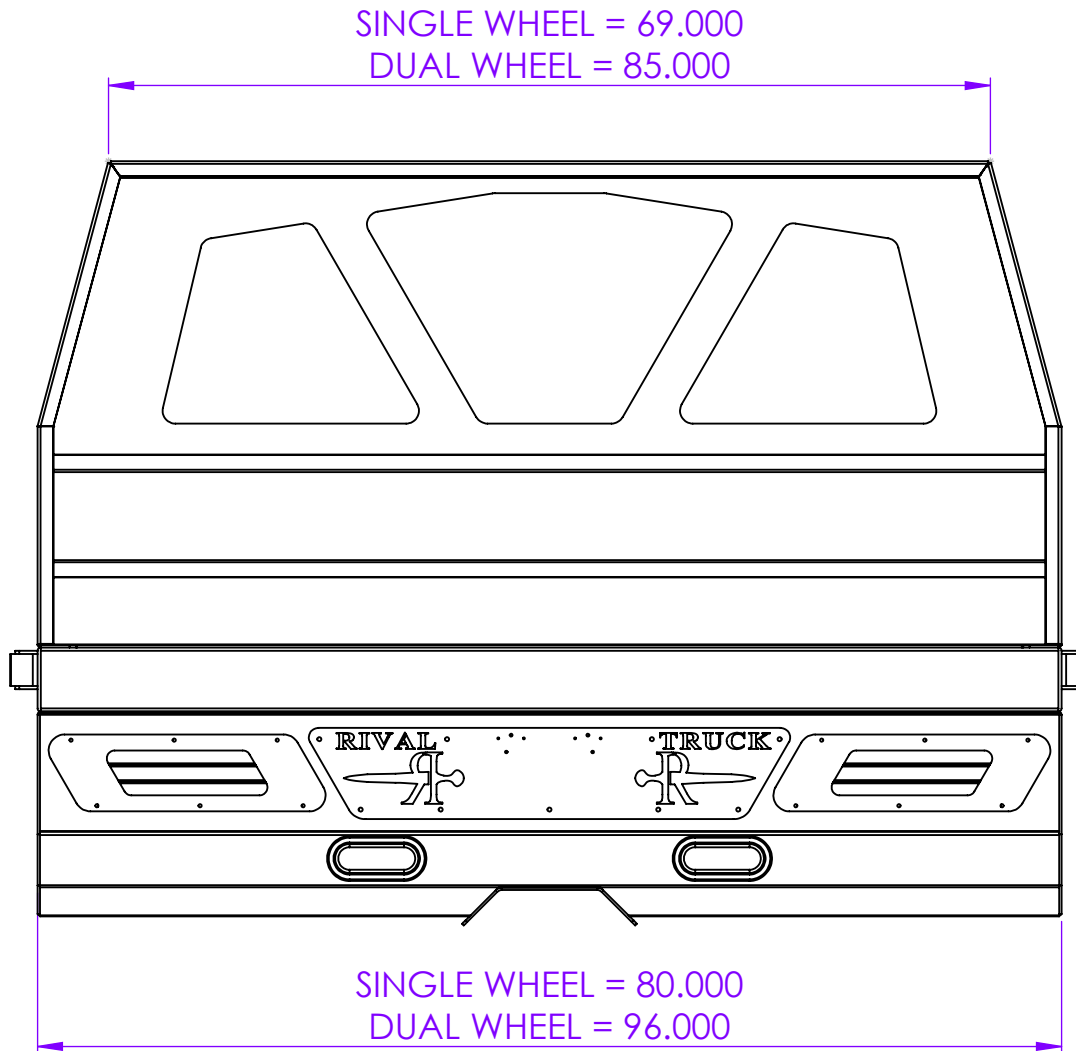
100% MARINE GRADE ALUMINUM CONSTRUCTION  
 5052-H32 MILL PLATE & 6061 T6 EXTRUSIONS  
 CUSTOM FORMED 3/16" THICK HEADACHE RACK  
 CUSTOM FORMED 3/16" THICK BUMPER & FENDER SKIRTING  
 LED LIGHTING


**OPTIONAL UNDER SLUNG DECK BOXES  
 & FIFTH WHEEL HITCHES AVAILABLE**

**PROPRIETARY AND CONFIDENTIAL**  
 THE INFORMATION CONTAINED IN THIS  
 DRAWING IS THE SOLE PROPERTY OF  
 EXPRESS CUSTOM MFG. ANY  
 REPRODUCTION IN PART OR AS A WHOLE  
 WITHOUT THE WRITTEN PERMISSION OF  
 EXPRESS CUSTOM MFG. IS  
 PROHIBITED.

UNLESS OTHERWISE SPECIFIED:		NAME	DATE	<b>EXPRESS CUSTOM MFG.</b>	
DIMENSIONS ARE IN INCHES TOLERANCES: ± .01 FRACTIONAL ± .1 ANGULAR: MACH ± .1 BEND ± TWO PLACE DECIMAL .01 ± THREE PLACE DECIMAL .001 ±		MODEL	S	10/29/2013	TITLE: <b>RIVAL RAIDER &amp; CORSAIR 56 102" FLATDECKS</b>
INTERPRET GEOMETRIC TOLERANCING PER:		DRAWING	S	6/28/2013	
MATERIAL <b>ALUMINUM</b>		REVISION			
FINISH <b>CLEAN</b>		MFG APPR.			
DO NOT SCALE DRAWING		Q.A.			SIZE <b>A</b> DWG.# <b>RAIDER-CORSAIR 56</b> REV
		QUANTITY: X1		SCALE: N/A WEIGHT:	SHEET 1 OF 4





UNLESS OTHERWISE SPECIFIED:		NAME	DATE
DIMENSIONS ARE IN INCHES TOLERANCES: ± .01 FRACTIONAL ±.1 ANGULAR: MACH ±.1 BEND ± TWO PLACE DECIMAL .01 ± THREE PLACE DECIMAL .001 ±	MODEL	S	10/29/2013
	DRAWING	S	6/28/2013
	REVISION		
	MFG APPR.		
INTERPRET GEOMETRIC TOLERANCING PER:	Q.A.		
MATERIAL	ALUMINUM		
FINISH	CLEAN		
DO NOT SCALE DRAWING	QUANTITY: X1		

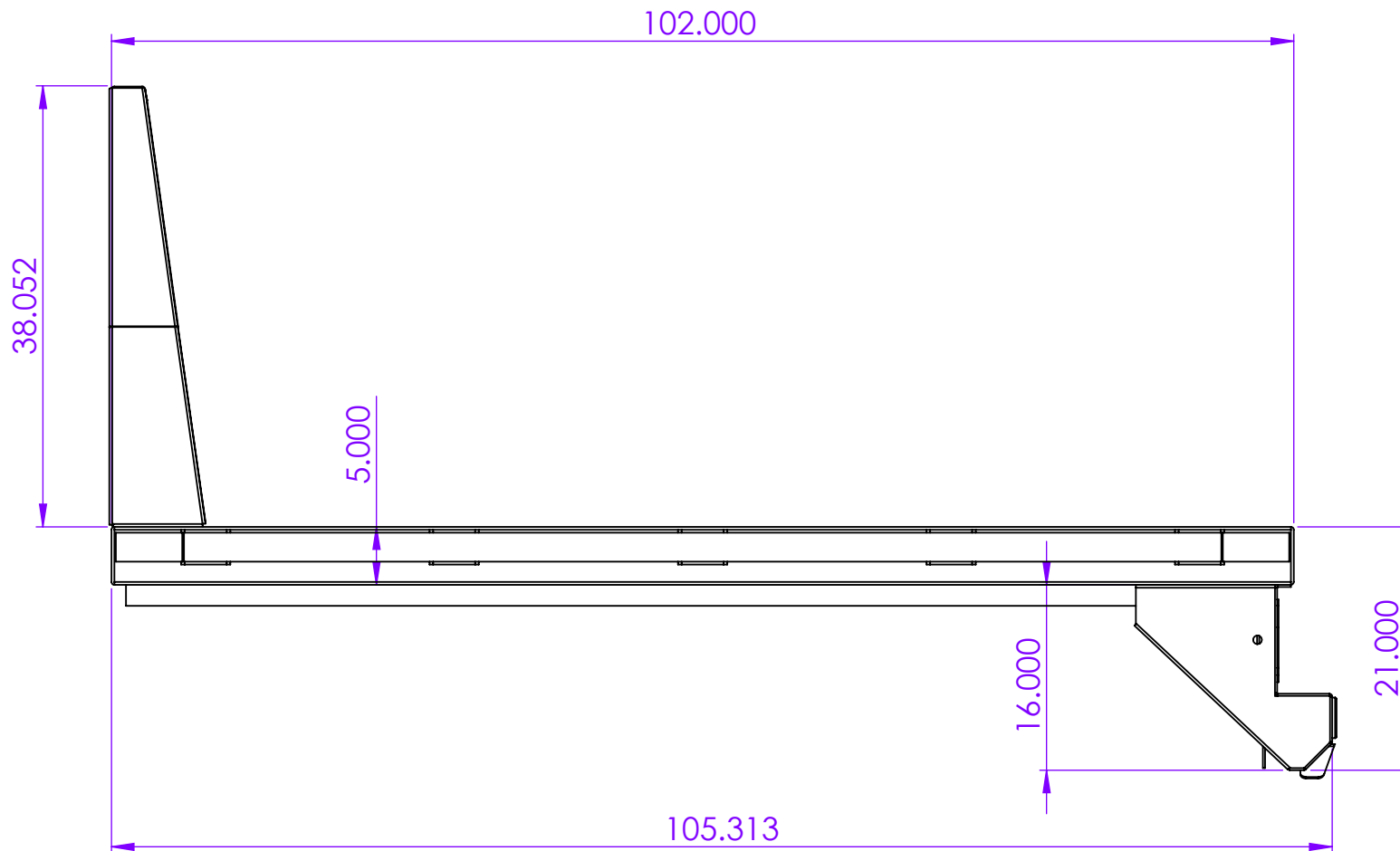
**EXPRESS CUSTOM MFG.**

TITLE: **RIVAL  
RAIDER & CORSAIR 56  
102" FLATDECKS**

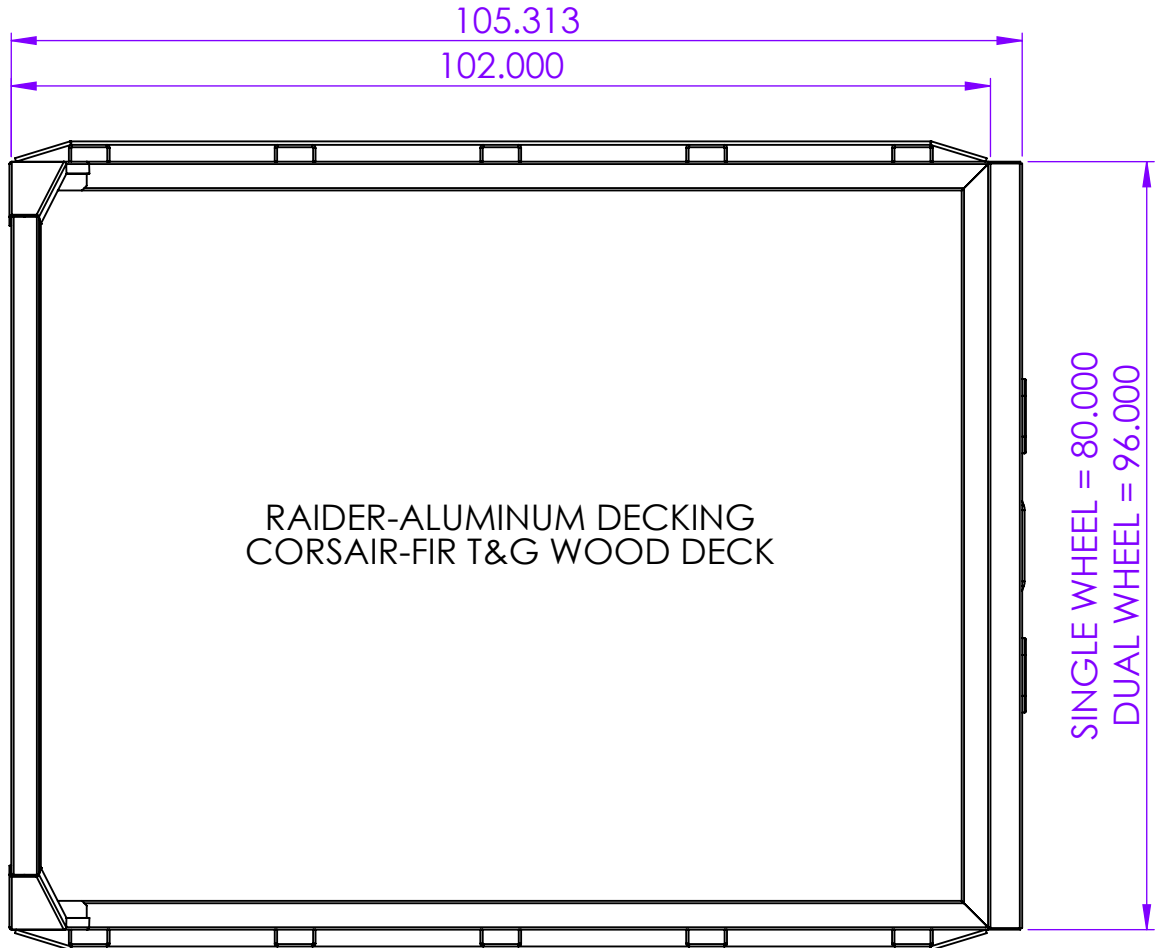
SIZE <b>A</b>	DWG.# <b>RAIDER-CORSAIR 56</b>	REV
------------------	---------------------------------------	-----

SCALE: N/A WEIGHT: SHEET 2 OF 4

**PROPRIETARY AND CONFIDENTIAL**  
 THE INFORMATION CONTAINED IN THIS DRAWING IS THE SOLE PROPERTY OF EXPRESS CUSTOM MFG. ANY REPRODUCTION IN PART OR AS A WHOLE WITHOUT THE WRITTEN PERMISSION OF EXPRESS CUSTOM MFG. IS PROHIBITED.



UNLESS OTHERWISE SPECIFIED:		NAME	DATE	<b>EXPRESS CUSTOM MFG.</b>		
DIMENSIONS ARE IN INCHES TOLERANCES: ± .01 FRACTIONAL ±.1 ANGULAR: MACH ±.1 BEND ± TWO PLACE DECIMAL .01 ± THREE PLACE DECIMAL .001 ±	MATERIAL	MODEL	S	10/29/2013	TITLE: <b>RIVAL          RAIDER &amp; CORSAIR 56          102" FLATDECKS</b>	
	FINISH	DRAWING	S	6/28/2013		
	DO NOT SCALE DRAWING	REVISION				SIZE <b>A</b> DWG.# <b>RAIDER-CORSAIR          56</b>
		MFG APPR.				REV
INTERPRET GEOMETRIC TOLERANCING PER:		Q.A.			SCALE: N/A WEIGHT:	
PROPRIETARY AND CONFIDENTIAL THE INFORMATION CONTAINED IN THIS DRAWING IS THE SOLE PROPERTY OF EXPRESS CUSTOM MFG. ANY REPRODUCTION IN PART OR AS A WHOLE WITHOUT THE WRITTEN PERMISSION OF EXPRESS CUSTOM MFG. IS PROHIBITED.				SHEET 3 OF 4		
		QUANTITY: X1				



UNLESS OTHERWISE SPECIFIED:		NAME	DATE
DIMENSIONS ARE IN INCHES TOLERANCES: ± .01 FRACTIONAL ±.1 ANGULAR: MACH ±.1 BEND ± TWO PLACE DECIMAL .01 ± THREE PLACE DECIMAL .001 ±	MODEL	S	10/29/2013
	DRAWING	S	6/28/2013
	REVISION		
	MFG APPR.		
INTERPRET GEOMETRIC TOLERANCING PER:	Q.A.		
MATERIAL	ALUMINUM		
FINISH	CLEAN		
DO NOT SCALE DRAWING	QUANTITY: X1		

**EXPRESS CUSTOM MFG.**

TITLE: **RIVAL  
RAIDER & CORSAIR 56  
102" FLATDECKS**

SIZE <b>A</b>	DWG.# <b>RAIDER-CORSAIR 56</b>	REV
------------------	---------------------------------------	-----

SCALE: N/A WEIGHT: SHEET 4 OF 4

**PROPRIETARY AND CONFIDENTIAL**  
 THE INFORMATION CONTAINED IN THIS DRAWING IS THE SOLE PROPERTY OF EXPRESS CUSTOM MFG. ANY REPRODUCTION IN PART OR AS A WHOLE WITHOUT THE WRITTEN PERMISSION OF EXPRESS CUSTOM MFG. IS PROHIBITED.