

SKID-MED-BASE II
3/16"5052-H32
QTY: X1

SKID-MED-END
3/16"5052-H32
QTY: X1

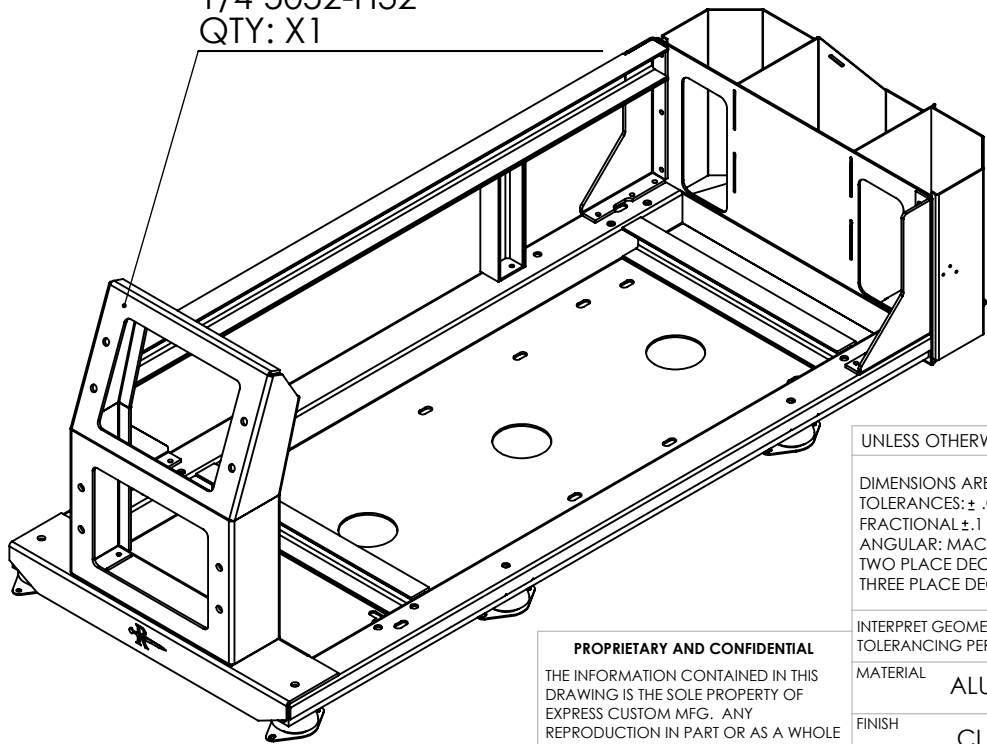
3"X2"CHANNEL

MOUNT FRAME-DUAL O2 ASLB
QTY: X1

3X2C SUPPORT-MED LOW PRO
3"X2"C 70.6875" LONG
QTY: X2

DUAL ACE-PROPANE HOLDER ASLB
QTY: X1

4 PAX II -REEL POST ASLB
1/4"5052-H32
QTY: X1



UNLESS OTHERWISE SPECIFIED:

DIMENSIONS ARE IN INCHES
TOLERANCES: ± .01
FRACTIONAL ± .1
ANGULAR: MACH ± .1 BEND ±
TWO PLACE DECIMAL .01 ±
THREE PLACE DECIMAL .001 ±

INTERPRET GEOMETRIC
TOLERANCING PER:

MATERIAL ALUMINUM

FINISH CLEAN

DO NOT SCALE DRAWING

NAME

DATE

MODEL S 4/19/2013

DRAWING S 4/19/2013

REVISION S 3/08/2017

MFG APPR.

Q.A.

COMMENTS:

QUANTITY: X1

EXPRESS CUSTOM MFG.

TITLE: MEDIUM-LOW
PROFILE SKID II
(DECK MOUNTED)

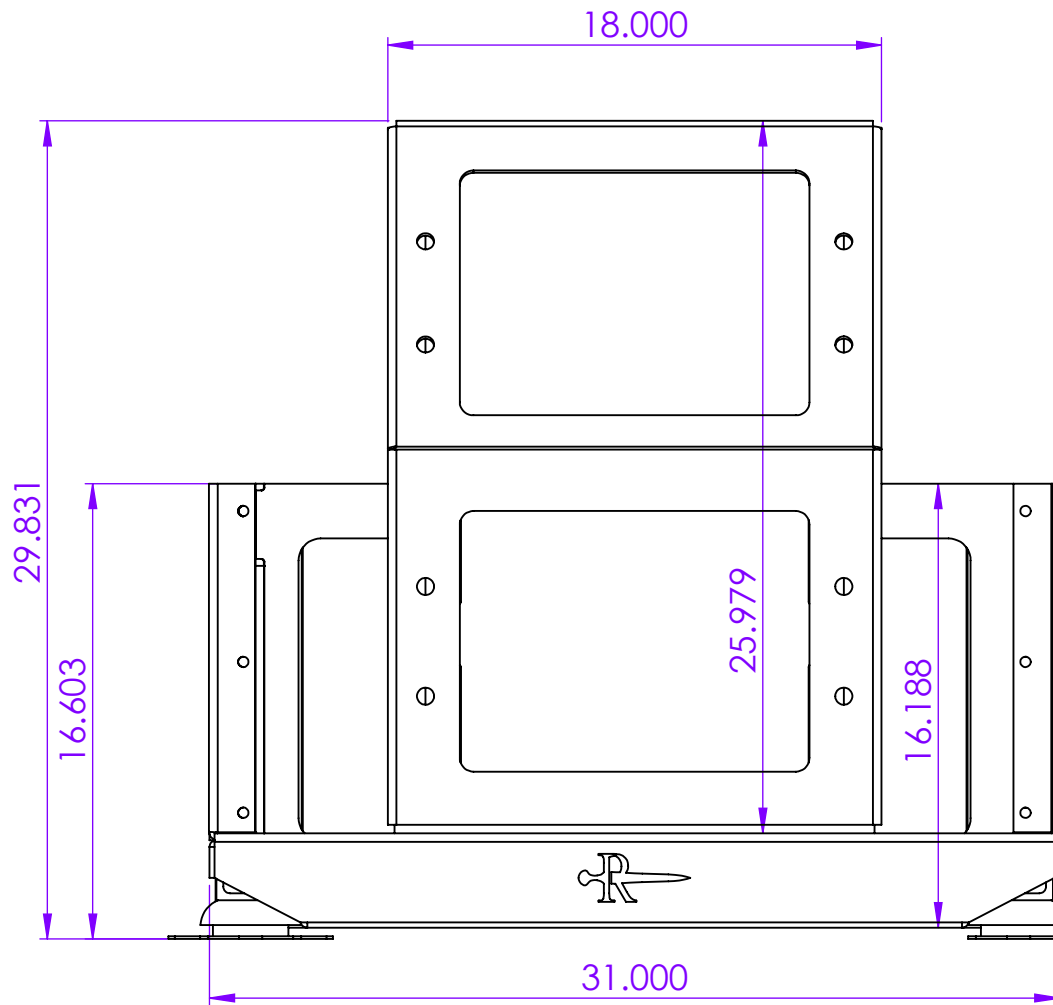
SIZE DWG.#
A MEDIUM LOW PRO
SKID II ASLB

REV
1.4

SCALE: N/A WEIGHT:

SHEET 1 OF 6

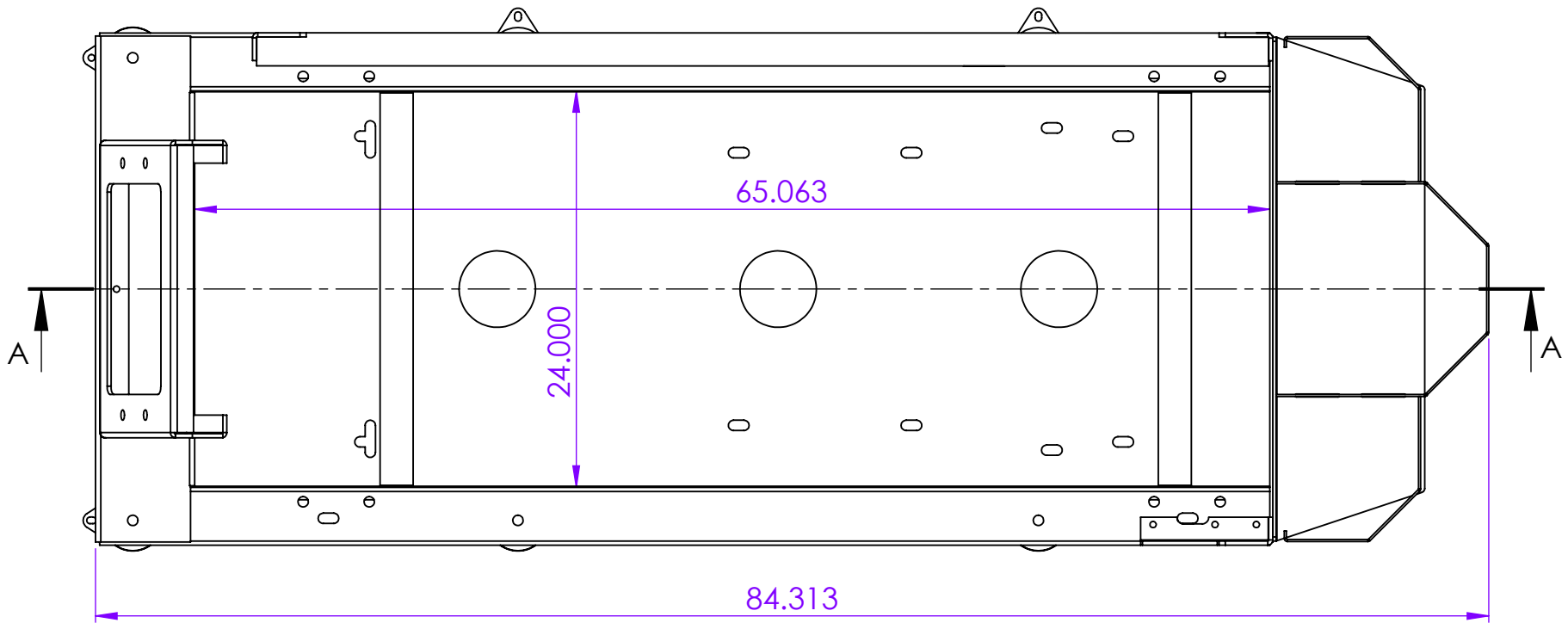
PROPRIETARY AND CONFIDENTIAL
THE INFORMATION CONTAINED IN THIS
DRAWING IS THE SOLE PROPERTY OF
EXPRESS CUSTOM MFG. ANY
REPRODUCTION IN PART OR AS A WHOLE
WITHOUT THE WRITTEN PERMISSION OF
EXPRESS CUSTOM MFG. IS
PROHIBITED.



PROPRIETARY AND CONFIDENTIAL
 THE INFORMATION CONTAINED IN THIS DRAWING IS THE SOLE PROPERTY OF EXPRESS CUSTOM MFG. ANY REPRODUCTION IN PART OR AS A WHOLE WITHOUT THE WRITTEN PERMISSION OF EXPRESS CUSTOM MFG. IS PROHIBITED.

UNLESS OTHERWISE SPECIFIED:		NAME	DATE
DIMENSIONS ARE IN INCHES TOLERANCES: ± .01 FRACTIONAL ±.1 ANGULAR: MACH ±.1 BEND ± TWO PLACE DECIMAL .01 ± THREE PLACE DECIMAL .001 ±	MODEL	S	4/19/2013
	DRAWING	S	4/19/2013
	REVISION	S	3/08/2017
	MFG APPR.		
	Q.A.		
INTERPRET GEOMETRIC TOLERANCING PER:	COMMENTS:		
MATERIAL	ALUMINUM		
FINISH	CLEAN		
DO NOT SCALE DRAWING	QUANTITY: X1		

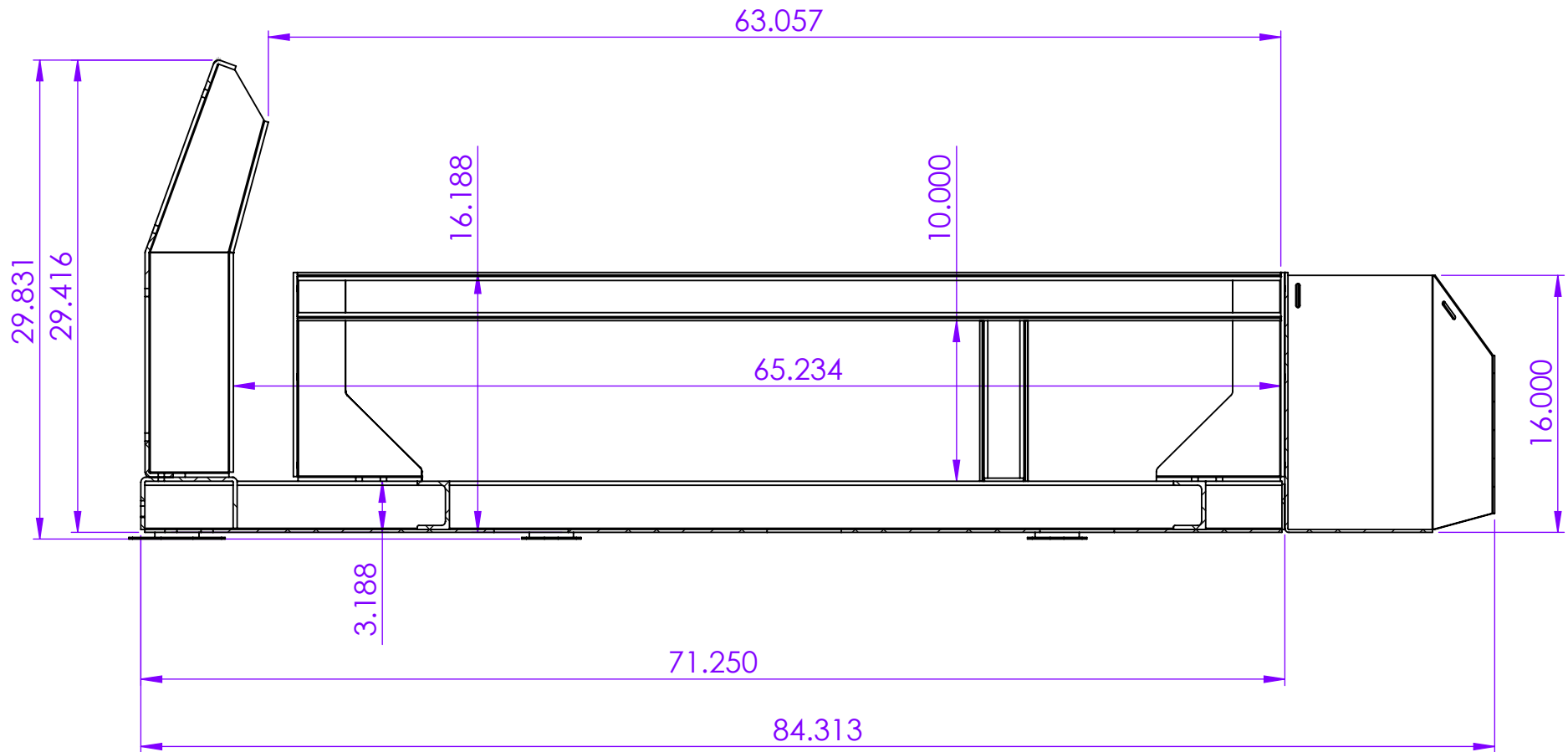
EXPRESS CUSTOM MFG.		
TITLE: MEDIUM-LOW PROFILE SKID II (DECK MOUNTED)		
SIZE	DWG.#	REV
A	MEDIUM LOW PRO SKID II ASLB	1.4
SCALE: N/A WEIGHT:		SHEET 2 OF 6



PROPRIETARY AND CONFIDENTIAL
 THE INFORMATION CONTAINED IN THIS DRAWING IS THE SOLE PROPERTY OF EXPRESS CUSTOM MFG. ANY REPRODUCTION IN PART OR AS A WHOLE WITHOUT THE WRITTEN PERMISSION OF EXPRESS CUSTOM MFG. IS PROHIBITED.

UNLESS OTHERWISE SPECIFIED:		NAME	DATE
DIMENSIONS ARE IN INCHES TOLERANCES: ± .01 FRACTIONAL ±.1 ANGULAR: MACH ±.1 BEND ± TWO PLACE DECIMAL .01 ± THREE PLACE DECIMAL .001 ±	MODEL	S	4/19/2013
	DRAWING	S	4/19/2013
	REVISION	S	3/08/2017
	MFG APPR.		
	Q.A.		
INTERPRET GEOMETRIC TOLERANCING PER:	COMMENTS:		
MATERIAL	ALUMINUM		
FINISH	CLEAN		
DO NOT SCALE DRAWING	QUANTITY: X1		

EXPRESS CUSTOM MFG.		
TITLE: MEDIUM-LOW PROFILE SKID II (DECK MOUNTED)		
SIZE	DWG.#	REV
A	MEDIUM LOW PRO SKID II ASLB	1.4
SCALE: N/A WEIGHT:		SHEET 3 OF 6



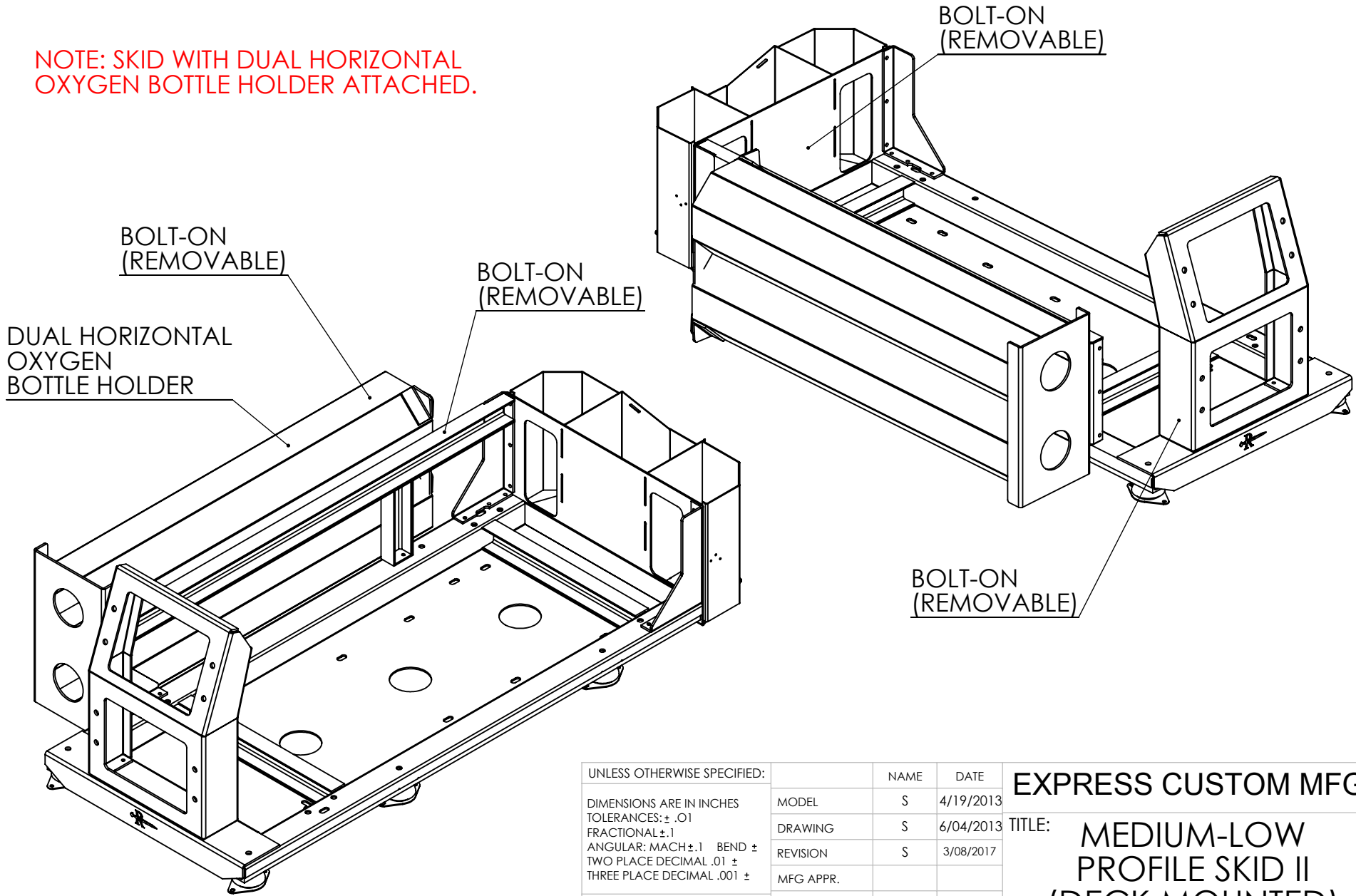
SECTION A-A
SCALE 1 : 10

PROPRIETARY AND CONFIDENTIAL
THE INFORMATION CONTAINED IN THIS DRAWING IS THE SOLE PROPERTY OF EXPRESS CUSTOM MFG. ANY REPRODUCTION IN PART OR AS A WHOLE WITHOUT THE WRITTEN PERMISSION OF EXPRESS CUSTOM MFG. IS PROHIBITED.

UNLESS OTHERWISE SPECIFIED:		NAME	DATE
DIMENSIONS ARE IN INCHES TOLERANCES: ± .01 FRACTIONAL ±.1 ANGULAR: MACH ±.1 BEND ± TWO PLACE DECIMAL .01 ± THREE PLACE DECIMAL .001 ±	MODEL	S	4/19/2013
	DRAWING	S	4/19/2013
	REVISION	S	3/08/2017
	MFG APPR.		
INTERPRET GEOMETRIC TOLERANCING PER:	Q.A.		
MATERIAL	ALUMINUM	COMMENTS:	
FINISH	CLEAN		
DO NOT SCALE DRAWING	QUANTITY: X1		

EXPRESS CUSTOM MFG.		
TITLE: MEDIUM-LOW PROFILE SKID II (DECK MOUNTED)		
SIZE A	DWG.# MEDIUM LOW PRO SKID II ASLB	REV 1.4
SCALE: N/A	WEIGHT:	SHEET 4 OF 6

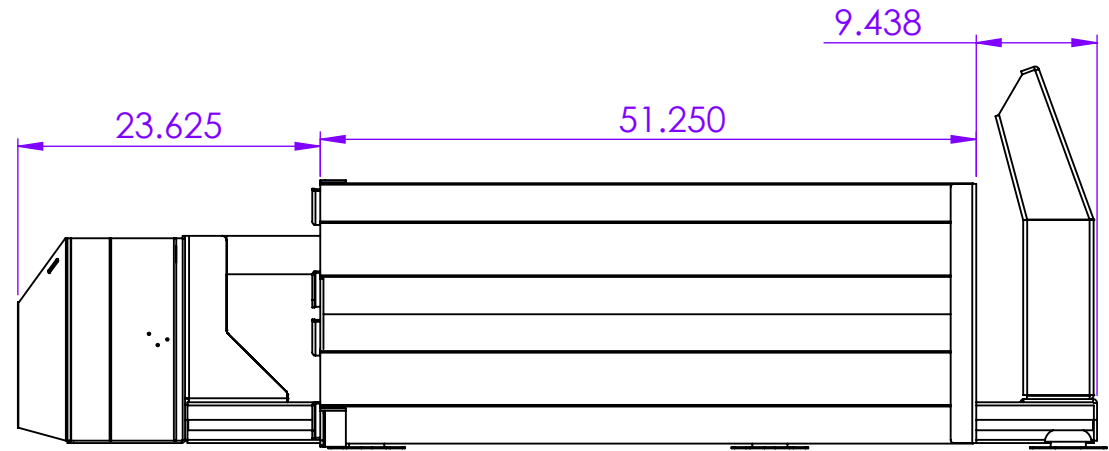
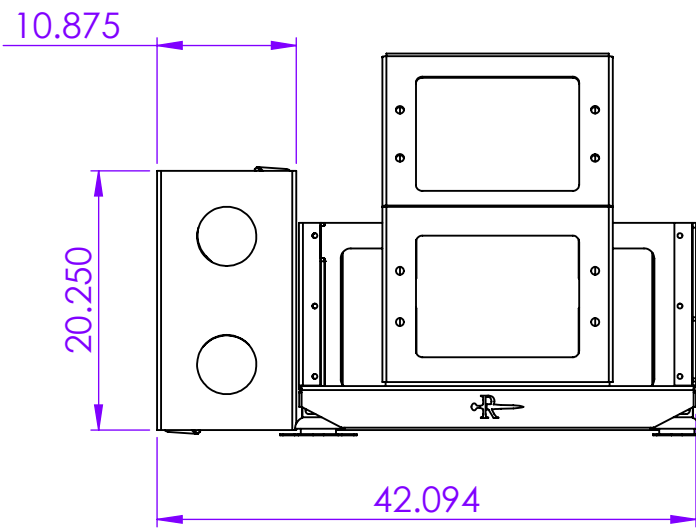
NOTE: SKID WITH DUAL HORIZONTAL OXYGEN BOTTLE HOLDER ATTACHED.



PROPRIETARY AND CONFIDENTIAL
 THE INFORMATION CONTAINED IN THIS DRAWING IS THE SOLE PROPERTY OF EXPRESS CUSTOM MFG. ANY REPRODUCTION IN PART OR AS A WHOLE WITHOUT THE WRITTEN PERMISSION OF EXPRESS CUSTOM MFG. IS PROHIBITED.

UNLESS OTHERWISE SPECIFIED:		NAME	DATE
DIMENSIONS ARE IN INCHES TOLERANCES: ± .01 FRACTIONAL ± .1 ANGULAR: MACH ± .1 BEND ± TWO PLACE DECIMAL .01 ± THREE PLACE DECIMAL .001 ±		MODEL	S 4/19/2013
INTERPRET GEOMETRIC TOLERANCING PER:		DRAWING	S 6/04/2013
MATERIAL ALUMINUM		REVISION	S 3/08/2017
FINISH CLEAN		MFG APPR.	
DO NOT SCALE DRAWING		Q.A.	
QUANTITY: X1		COMMENTS:	

EXPRESS CUSTOM MFG.		
TITLE: MEDIUM-LOW PROFILE SKID II (DECK MOUNTED)		
SIZE A	DWG.# MEDIUM LOW PRO SKID II WITH O2 ASLB	REV 1.4
SCALE: N/A WEIGHT:		SHEET 5 OF 6



NOTE: SKID WITH DUAL HORIZONTAL OXYGEN BOTTLE HOLDER ATTACHED.

PROPRIETARY AND CONFIDENTIAL
 THE INFORMATION CONTAINED IN THIS DRAWING IS THE SOLE PROPERTY OF EXPRESS CUSTOM MFG. ANY REPRODUCTION IN PART OR AS A WHOLE WITHOUT THE WRITTEN PERMISSION OF EXPRESS CUSTOM MFG. IS PROHIBITED.

UNLESS OTHERWISE SPECIFIED:		NAME	DATE
DIMENSIONS ARE IN INCHES TOLERANCES: ± .01 FRACTIONAL ±.1 ANGULAR: MACH ±.1 BEND ± TWO PLACE DECIMAL .01 ± THREE PLACE DECIMAL .001 ±	MODEL	S	4/19/2013
	DRAWING	S	6/04/2013
	REVISION	S	3/08/2017
	MFG APPR.		
INTERPRET GEOMETRIC TOLERANCING PER:	Q.A.		
MATERIAL ALUMINUM	COMMENTS:		
FINISH CLEAN			
DO NOT SCALE DRAWING	QUANTITY: X1		

EXPRESS CUSTOM MFG.		
TITLE: MEDIUM-LOW PROFILE SKID II (DECK MOUNTED)		
SIZE A	DWG.# MEDIUM LOW PRO SKID II WITH O2 ASLB	REV 1.4
SCALE: N/A	WEIGHT:	SHEET 6 OF 6