

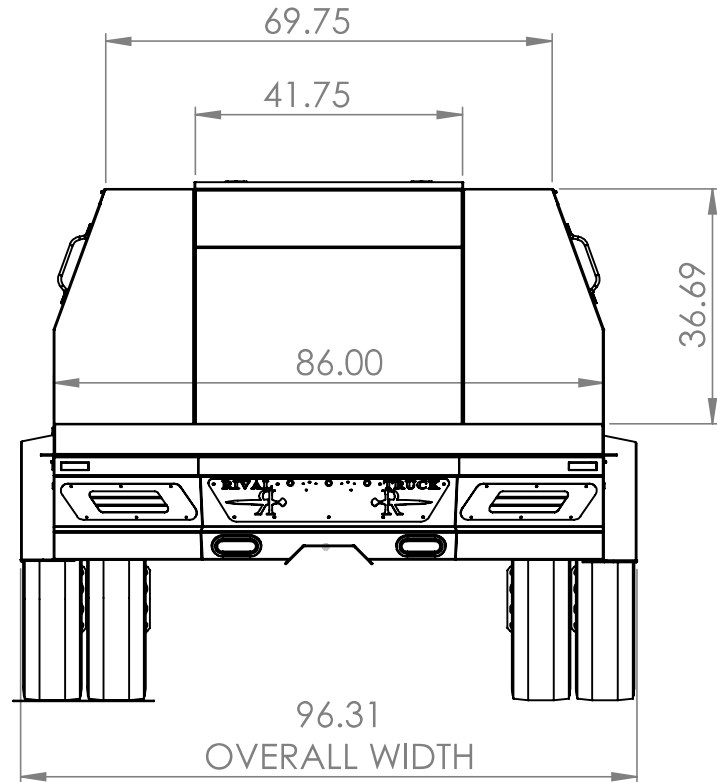
32" X 86" II CABINET MODULE
14 INCH NOTCH

32" X 86" TAIL SECTION

46" X 86" MID MODULE

5" CONCAVE ROUND
(DEFAULT) FENDER

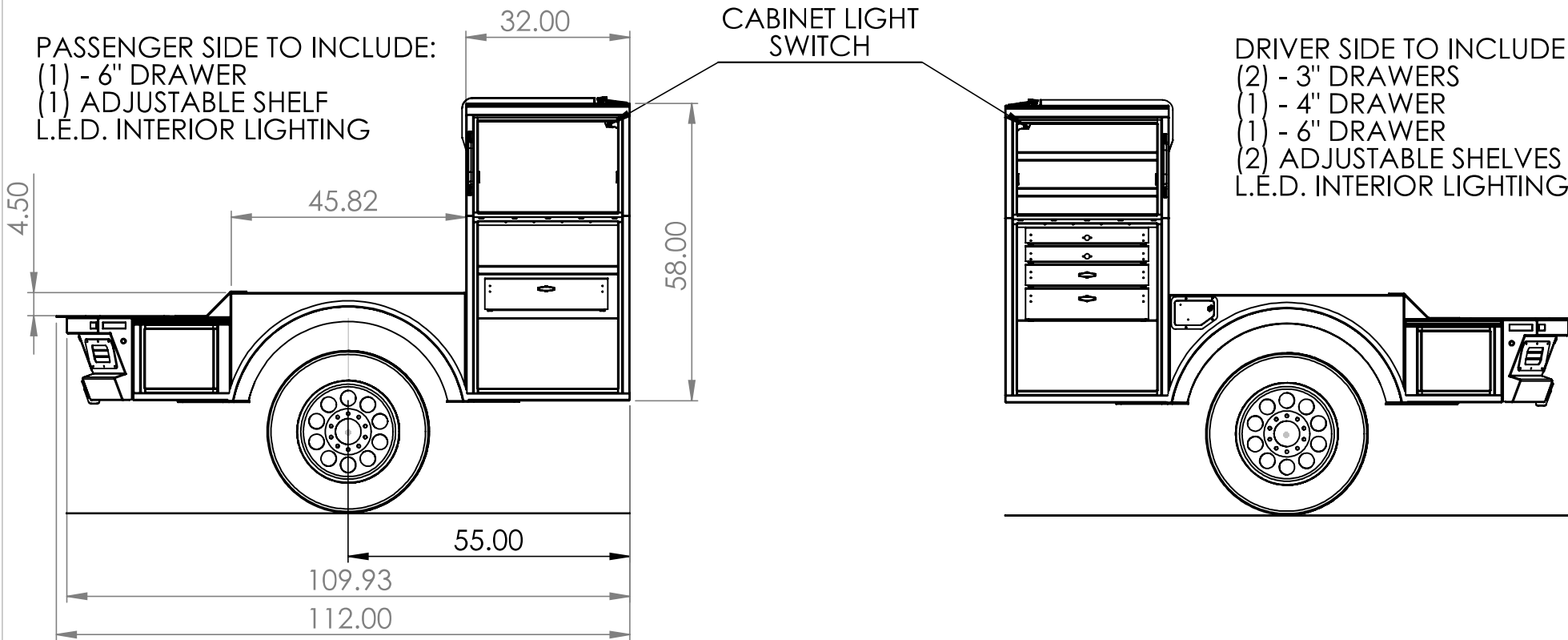
USLG 16HX14DX19W



PASSENGER SIDE TO INCLUDE:
(1) - 6" DRAWER
(1) ADJUSTABLE SHELF
L.E.D. INTERIOR LIGHTING

CABINET LIGHT SWITCH

DRIVER SIDE TO INCLUDE:
(2) - 3" DRAWERS
(1) - 4" DRAWER
(1) - 6" DRAWER
(2) ADJUSTABLE SHELVES
L.E.D. INTERIOR LIGHTING



JOB NO.

MODEL / YEAR: **PAL-D-II-56 - 2024**

